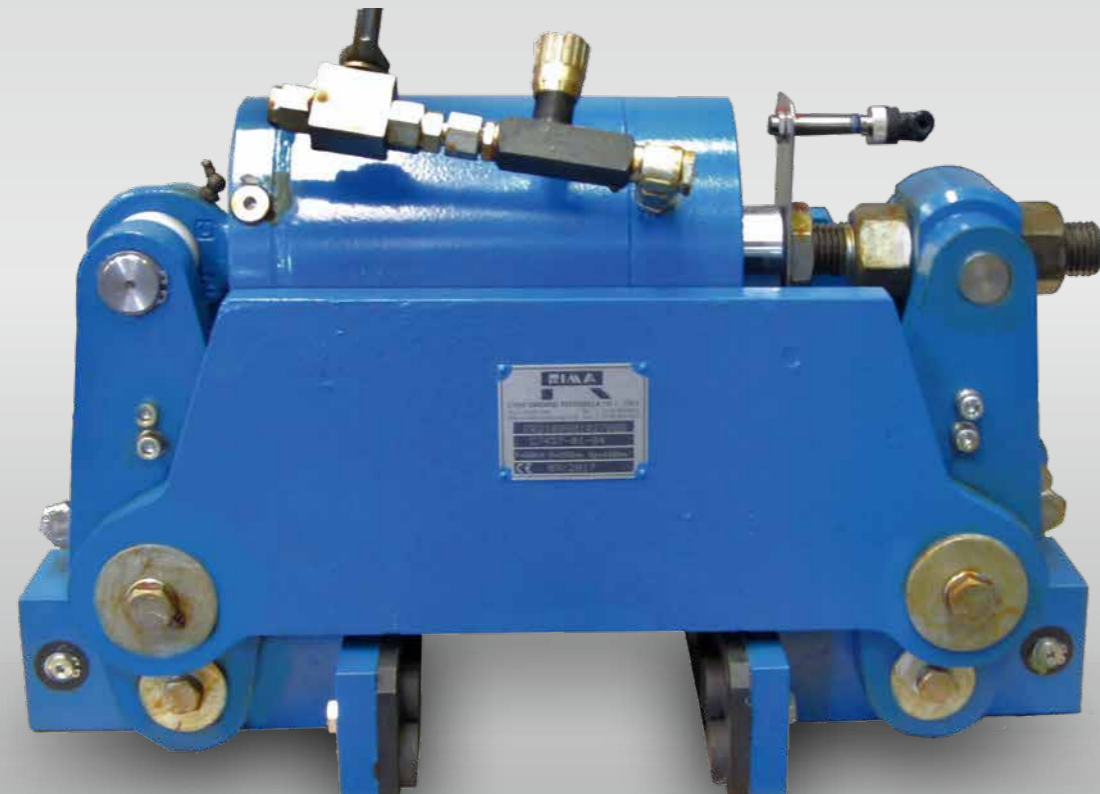


WHEEL BRAKE FR



DETAILS

MAIN FEATURES

- Wheel brake
- Maximum axial movement of the wheel: $\pm 1,5$ mm
- Opening time: Upon client request (usually 2 - 4 s) (from the opening command to signal of brakes opened).
- Closing time = adjustable from 1 s to 12 s (approx.)
- Standard painting = 240 micron, RAL 5019
- Limit switch that signals clamp open
- Emergency Manual opening device
- Hydraulic unit suitable to operate with more brakes

OPTIONS

- Hand Pump
- Working temperature different from standard (-20° $+40^{\circ}$)
- Language of documentation different from standard
- Certificates of materials (EN 10204-2.2, EN 10204-3.1 o EN 10204-3.2) for all main components

DESIGN BRAKING FORCE

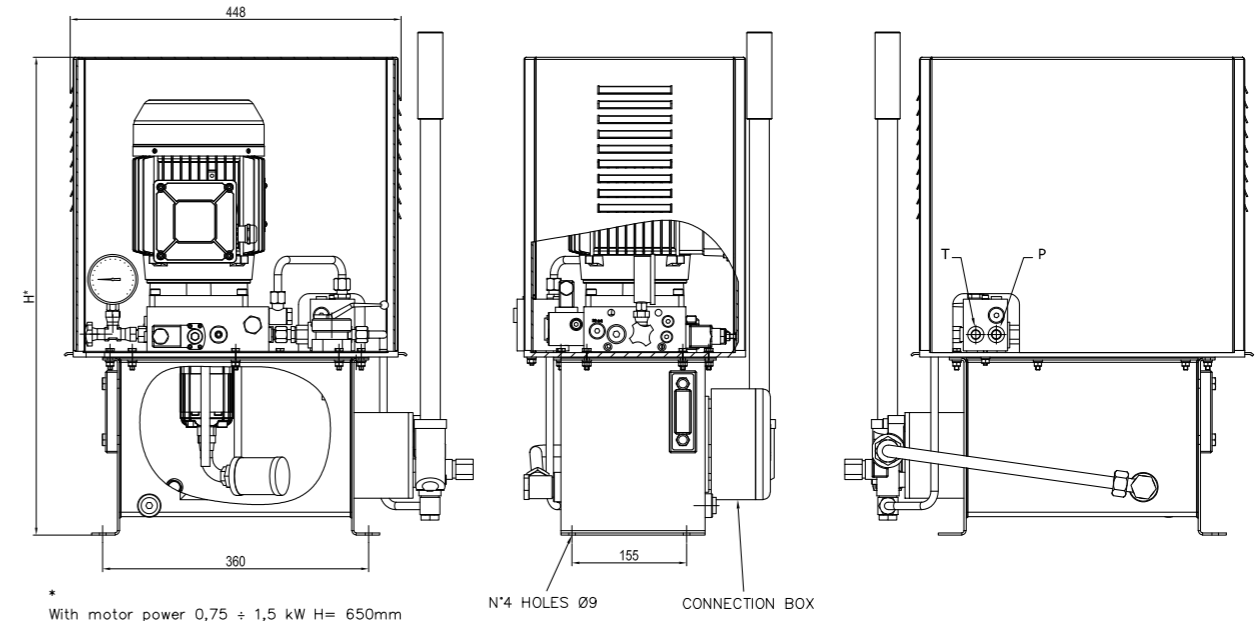
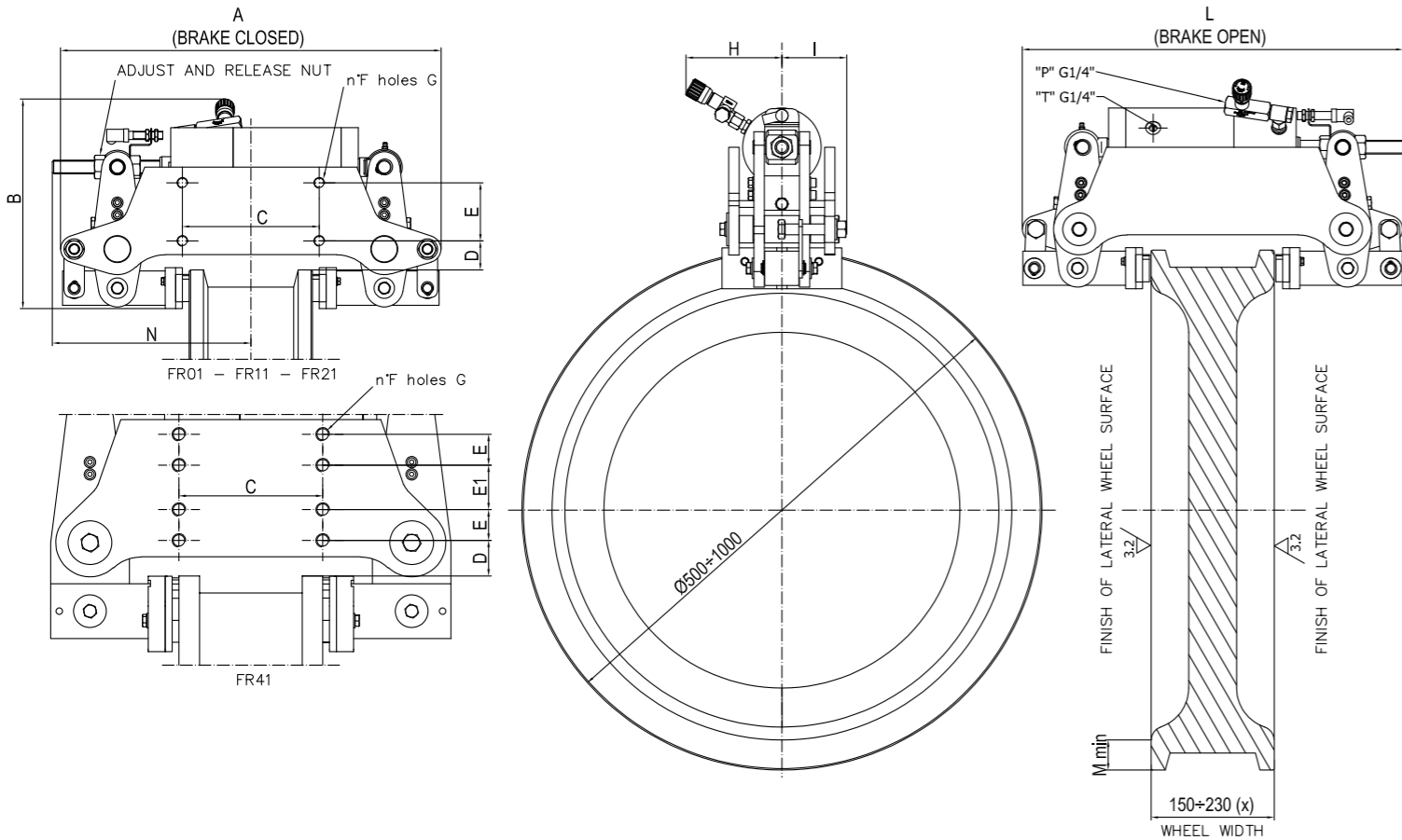
- FR01 = 30 kN
- FR11 = 60 kN
- FR21 = 80 kN
- FR41 = 120-150 kN

APPLICATIONS

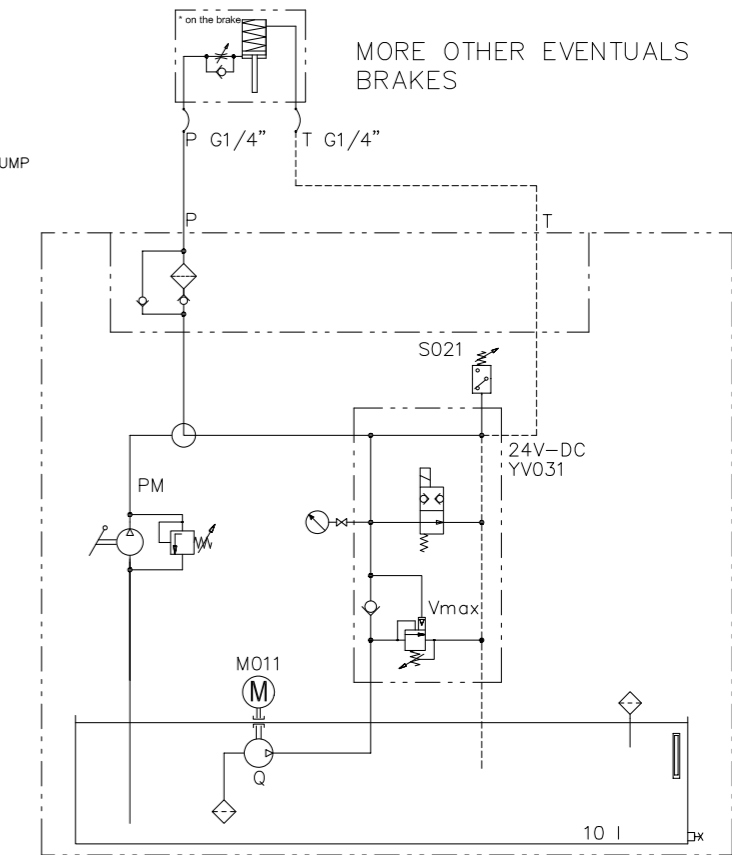
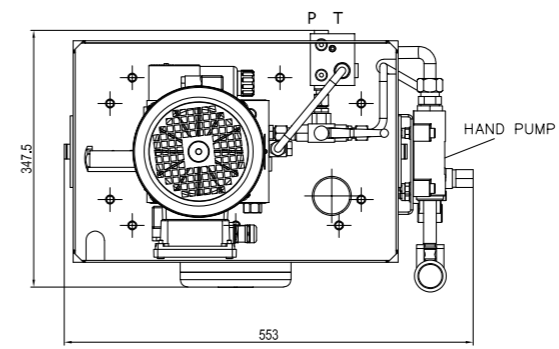
These brakes are devoted to parking utilization, securing the crane, in stowed condition, against the wind force, therefore, in their normal utilization they have to

be closed when the crane is completely stopped. In emergency condition they can be operated also as dynamic brakes to stop the crane.

The brake shoes, push on the two sides of a wheel, actuated by springs and released by hydraulic power.



* With motor power 0,75 ÷ 1,5 kW H= 650mm
With motor power 2,2 ÷ 3 kW H= 770mm



MORE OTHER EVENTUALS BRAKES

Type	FORCE (kN)											WEIGHT(kg)					
	X-2	X	X+2	A	B	C	D	E	E1	F	G						
FR01-0030	33,9	39,1	44,1	556	306	200	43	85	/	4	M16	140	95	556	44	300	55
FR11-0060	61,0	92,3	122,0	556	309	200	24	100	/	4	M20	155	115	556	63	300	95
FR21-0080	80,0	115,8	151,0	616	372	210	35	125	/	4	M24	170	140	616	63	330	153
FR41-0120	125,0	143,2	160,7	585	499	210	52	45	65	8	M20	180	180	590	85	355	190
FR41-0150	150,0	173,0	201,8	585	564	210	52	45	65	8	M20	180	180	590	85	355	210

N° 1 WHEEL BRAKE: OPENING TIME 1s				
Type of brake	Q= l/min	Opening pressure MPa	Pressure switch MPa	Pressure relief valve MPa
FR01-030	2,4	10	12	15
FR11-060	3	17	19	22
FR21-080	4,5	12	15	18
FR41-120/150	5,7	13	15	18

ELECTRIC MOTOR - M01 *	From 0,75kW to 3 kW- 400V - 50Hz
ELECTROVALVE - YV031 *	24V- DC
GEAR PUMP	From 1,6 to 9 l/min
OIL TANK	10l

* OTHER SUPPLY VOLTAGE ON REQUEST

DIFFERENT OPENING TIMES AND NUMBER OF SUPPLIED BRAKES ON REQUEST